

# SIGNODE *MB-I Series*

## Automatic Strapping Machines

Reliable! Dependable! Rugged!



### FEATURES AND BENEFITS:

- Rugged construction for continuous duty
- Operator friendly
- Easy maintenance
- No oiling and greasing
- Heavy duty heater
- Positive tension mechanism
- Easy loading and unloading of strap
- Noiseless

**SIGNODE®**



# SIGNODE *MB-I Series* Automatic Strapping Machines

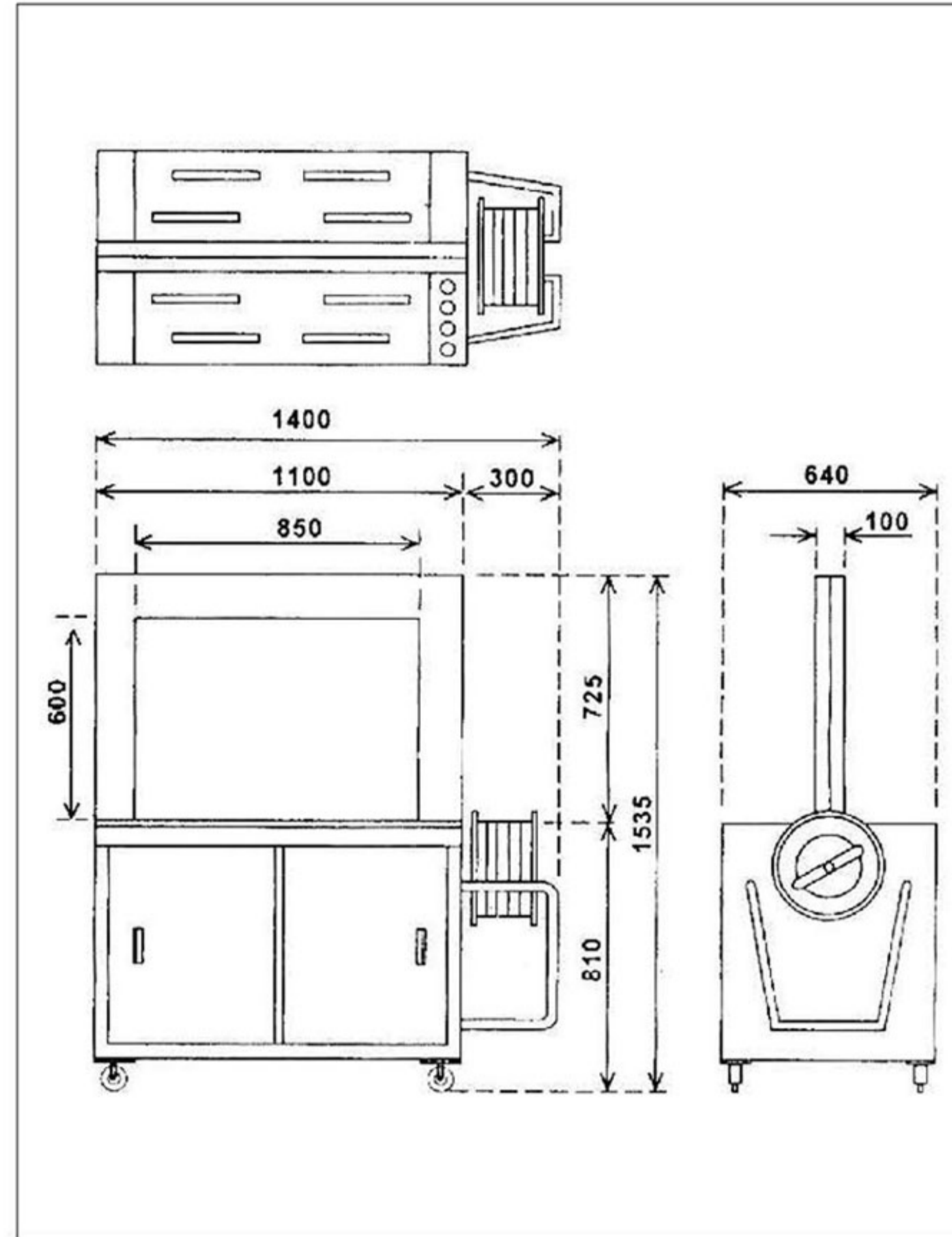
Reliable! Dependable! Rugged!

## SPECIFICATIONS:

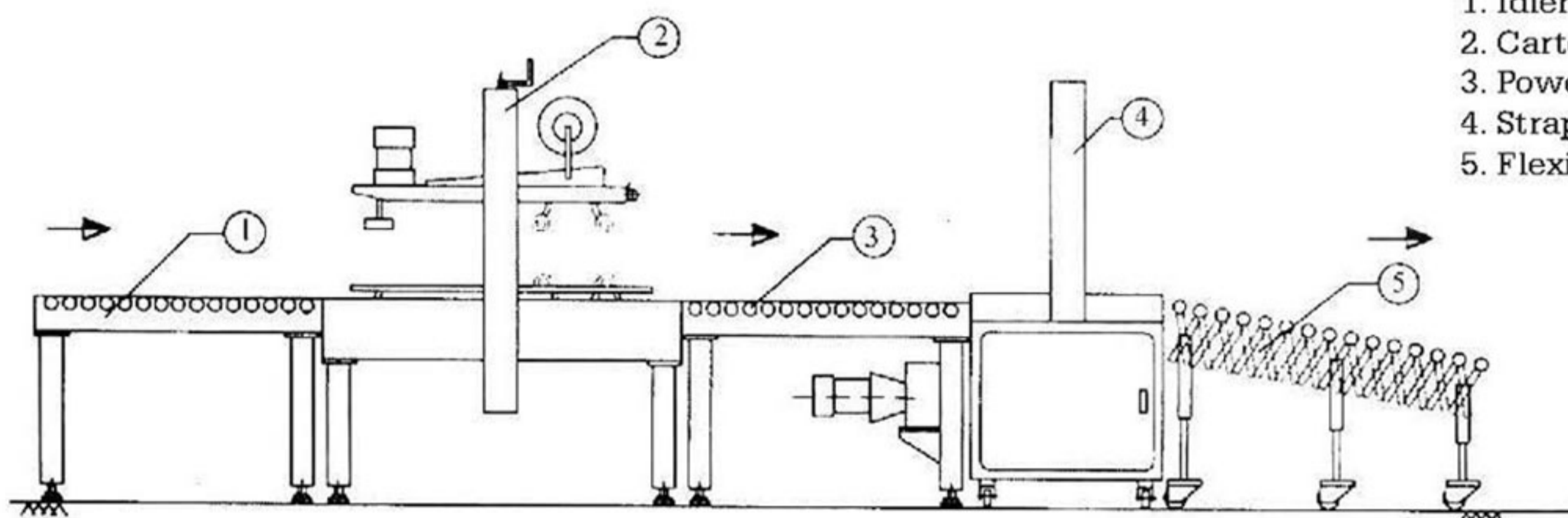
Models	: MB-I-1	MB-I-2
Type	: Stand alone	On-line
Strap Sizes	: 9, 12 mm	9, 12 mm
Tension Range	: 10-50 Kgf	10-50 Kgf
Sealing Method	: Heat Sealing	Heat Sealing
Strapping Speed	: 2.2 Sec/Strap	2.2Sec/Strap
Min. Package Size	: 100* 30	200* 30
Chute Size	: 850 * 600	850*600
	(Dimensions: W * H in mm)	
Net Weight	: 250 Kgs	275 Kgs
Power Supply	: 3 Phase, 415 V, 50 Hz.	

## OPTIONS:

- Powered roller/ belt for on-line applications
- Strap options (0, 1, 2) available in on-line machines
- Compression bar attachment
- Special electricals with PLC
- Various chute sizes to suit customer requirements
- Single phase, 230V, 50 Hz supply



## Typical automatic taping and strapping line



1. Idler Roller Conveyor
2. Carton Sealing Machine
3. Powerised Bar Attachments
4. Strapping Machine
5. Flexible Conveyor

**SIGNODE**<sup>®</sup>

Signode India Limited  
Email: info@signodeindia.com  
URL : www.signodeindia.com

Signode has policy of continuous product development and reserves the right to alter specifications at any time without prior notice.